

**HAND SINKS**  
**DH-29, DH-30**  
**(With Splash & Low-Lead Faucet)**

PROJECT#: \_\_\_\_\_

ITEM# \_\_\_\_\_

MODEL# \_\_\_\_\_

**Low Cost Solutions for Back Room Operations:**

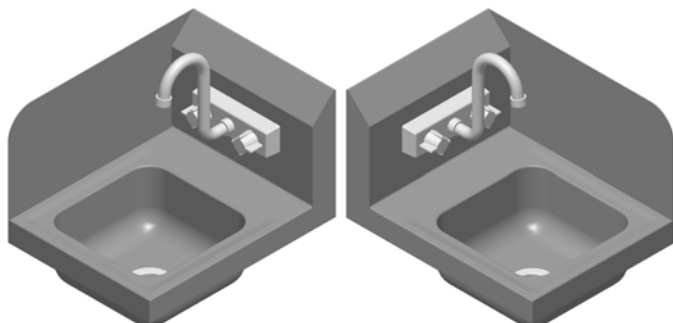
- ◆ Supermarkets
- ◆ Convenience Stores
- ◆ Hospitals
- ◆ Factories

**Features:**

- ◆ Constructed from Heavy Gauge Type 304 Series Stainless Steel
- ◆ Available through the Amtekco Quick Ship Program
- ◆ All Sinks are N.S.F. Listed
- ◆ Multiple Designs for Multiple Applications

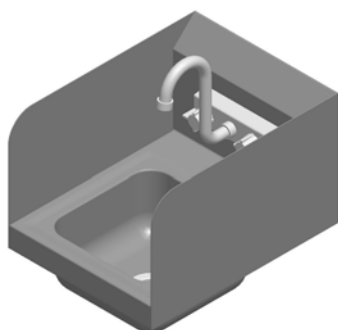
**Mechanical Specifications:**

- ◆ Meets “Low Lead” or “Lead-Free” Faucet Specifications
- ◆ DH-29 Sink Bowl is 9” x 9” x 4-1/2”
- ◆ DH-30 Sink Bowl is 20” x 16” x 5-1/2”
- ◆ Crumb Cup Drain 1-1/2” NPS
- ◆ Faucets 1/2” NPS

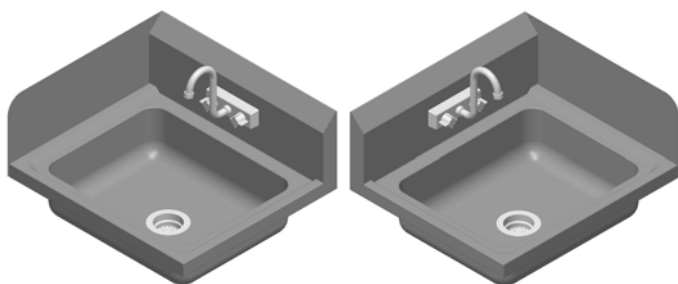


**DH-29L**

**DH-29R**

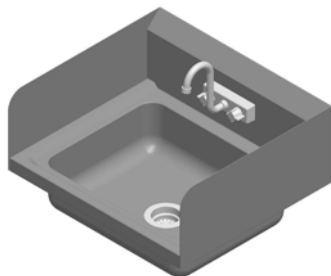


**DH-29D**



**DH-30L**

**DH-30R**



**DH-30D**

MODEL#	SPLASH LOCATION	SHIPPING WEIGHT
DH-29L	LEFT	11 lbs.
DH-29R	RIGHT	11 lbs.
DH-29D	LEFT & RIGHT	18 lbs.
DH-30L	LEFT	21 lbs.
DH-30R	RIGHT	21 lbs.
DH-30D	LEFT & RIGHT	23 lbs.

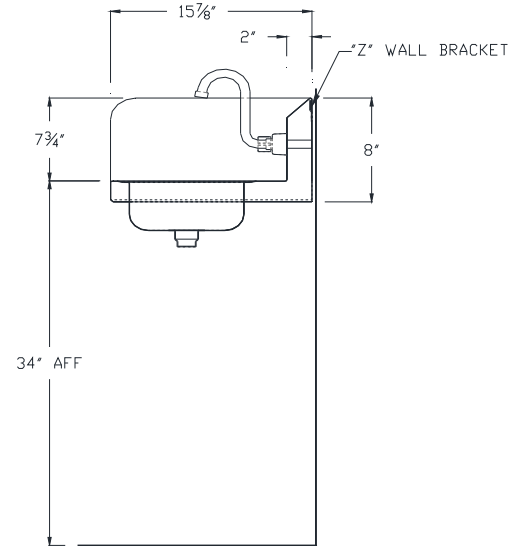
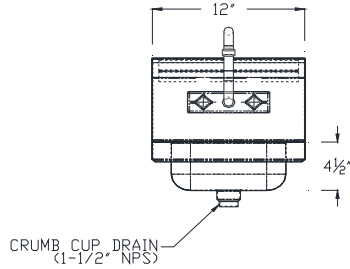
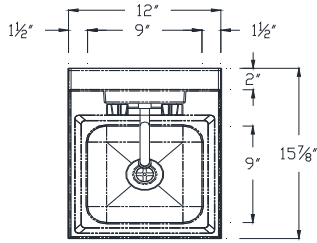
All Models Can Be Shipped U.P.S.

Amtekco offers a full line of standard hand washing sinks to satisfy every requirement and the most rigorous local sanitation requirements. These superior products feature type 304 stainless steel throughout for long life, ease in cleaning and low maintenance. Rugged, heavy gauge, die stamped and welded construction provides for rigid wall mounting for years of trouble free use. All faucets are N.S.F. listed.

**Models are in stock for immediate shipments**



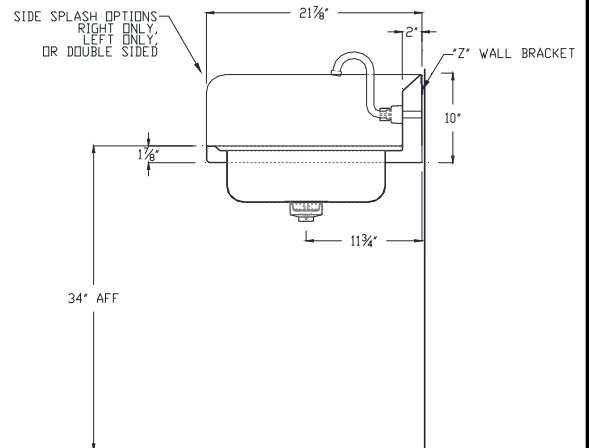
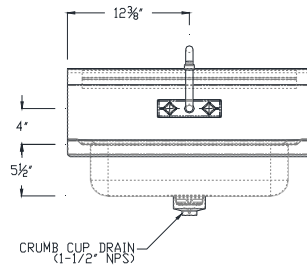
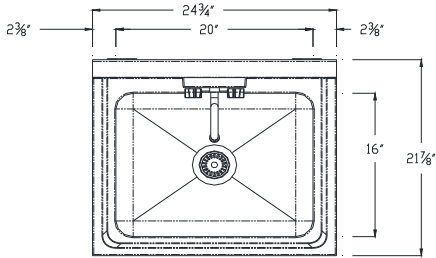
**HAND SINKS**  
**DH-29, DH-30**  
 (With Splash & Low-Lead Faucet)



**Accessories:**

- ◆ Low Lead Faucet—#KHS15-4000 w/ Gooseneck Spout (1/2" NPS)
- ◆ Crumb Cup Drain (1-1/2" NPS)
- ◆ Wall Mounting Bracket

**DH-29L, DH-29R, DH-29D**



**Accessories:**

- ◆ Low Lead Faucet—#KHS15-4000 w/ Gooseneck Spout (1/2" NPS)
- ◆ Crumb Cup Drain (1-1/2" NPS)
- ◆ Wall Mounting Bracket

**DH-30L, DH-30R, DH-30D**

